

# CS 50 BM2-4-ES-G5

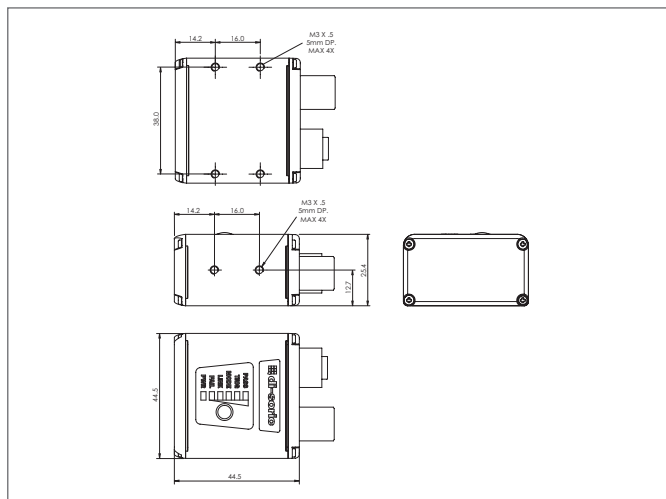
## Vision Sensor - CS 50

- Highest performance with up to 2520 inspections per minute
- Image export via FTP
- Internal LEDs, filter, polarizer field exchangeable
- Multiple detections and measurements
- Profinet / Ethernet- / TCP-IP / RS 232
- Multi-language and intuitive software
- Shape- and presence detection, positioning counting & logic
- Wear-free autofocus integrated
- Two focal lengths in one unit, switchable via click-zoom
- Compact design and low weight
- Practically unlimited number of jobs possible



### Safety instructions

The Instruments are not to be used for safety applications, in particular applications in which safety of persons depends on proper operation of the instruments.  
These instruments shall exclusively be used by qualified personnel.



| TECHNICAL INFORMATION (typ.) | +20°C, 24V DC   |
|------------------------------|---|
| Model                        | CS 50   |
| Size                         | 44.5 x 44.5 x 25.4 mm (Dimensions)  |
| Design                       | cuboid design   |
| Number of inputs/outputs     | 1/3   |
| Service voltage              | 4,75 ... 30 V DC  |
| Internal power consumption   | 150 mA, (24 V DC)   |
| Control buttons              | 1   |
| Resolution                   | 640 x 480 pixel, global shutter   |
| Working distance             | 50 ... 150 mm   |
| Switching output             | max. 100 mA per output, opto-isolated (current limited by user)   |
| Interface                    | RS 232, Ethernet / TCP / IP, Profinet   |
| Speed of parts               | 2.520 ppm   |
| External trigger input       | off = < 1,0 V (Input ON)<br>on 0 > 2,0 V (Input OFF)  |
| Inspection functions         | Shape recognition, Presence, Measurement, Counting, Logic   |
| Configuration                | Internal trigger, External trigger input, PC Software Setup, Logic for user-defined outputs, Highest resolution (640 x 480), Free running |
| Lighting changeable          | yes (red / white / blue / IR)   |
| Ambient temperature          | 0 ... +40 °C  |
| Protection class             | IP 65, IP 67  |
| Protection degree            | III, operation on protective low voltage  |
| Casing material              | Aluminium black   |
| Focal length                 | 16 mm / 32 mm   |

# CS 50 BM2-4-ES-G5

## Vision Sensor - CS 50



| <b>TECHNICAL INFORMATION (typ.)</b> | <b>+20°C, 24V DC</b>                                 |
|-------------------------------------|--|
| Protocols                           | Ethernet / IP, RS 232, TCP-IP, Profinet              |
| Weight                              | 68 g   |
| Interne Beleuchtung                 | High Power white                                     |
| Image                               | sw / VGA   |
| Number of jobs                      | Unlimited (1,4 GB), 1-255 in operation with ProfiNet |
| Shutter time                        | 66 ... 58.825 µsec                                   |